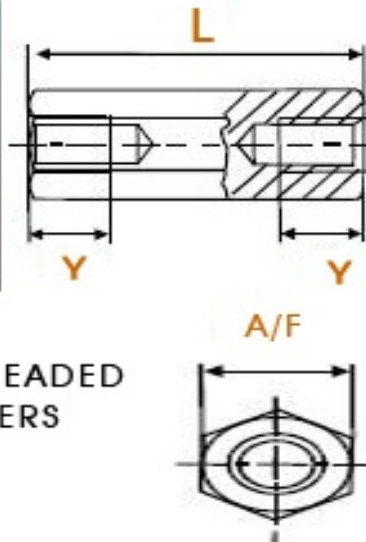


BRASS SPACERS THREADED SPACERS PCB SPACERS



**BRASS SPACERS THREADED
SPACERS PCB SPACERS**

Thread of Brass Spacers	Hex- A/F	Hole Depth (y)
M2	4.0	Through
M2.5	5.0	Through
M3	5.0	Through
M4	7.0	Through
M5	8.0	Through

Thread	Hex A/F	LENGTHS 'L' Available
M3	5.0	5, 6, 7, 8, 9, 10, 11, 12, 13, 14, 15, 16, 17, 18, 19, 20, 25, 30, 35, 40, 45, 50, 55, 60, 70, 80
M4	7.0	5, 6, 7, 8, 9, 10, 11, 12, 13, 14, 15, 16, 17, 18, 19, 20, 25, 30, 35, 40, 45, 50, 55, 60, 70, 80
M5	8.0	5, 6, 7, 8, 9, 10, 11, 12, 13, 14, 15, 16, 17, 18, 19, 20, 25, 30, 35, 40, 45, 50, 55, 60, 70, 80
M6	10.0	10, 12, 15, 18, 20, 25, 30, 35, 40, 45, 50, 55, 60, 70, 80
M8	13.0	15, 18, 20, 25, 30, 35, 40, 45, 50, 55, 60, 70, 80, 90, 100

We offer finely machined and threaded Brass spacers **Brass threaded hex spacers and round body spacers** Brass Nickel plated spacers in metric and UNC / UNF threads from our factory in Jamnagar India.

- Nickel plated Tin plated Silver plated Brass spacers threaded spacers available
- Metric threads M3 M4 M3.5 M5 M6 and UNC 10-32, 6-32 8-32, 4-40, 2-46, UNF UNEF threads available

- ROHS complaint with Lead under 3%
- Packed in polybags of 100 pcs
- Brass custom made Spacers clearance spacers PCB spacers and full threaded spacers available.
- Material grade Free machining Brass, Brass CDA 360 ROHS complaint. c345, C 353, CDA 36000, c3602, c3604, c385, cz131,cz124, cz121, en 12164 - cw606n, CW 603n,CW 614n, cuzn36pb2, cuzn39pb3 & cuzn36pb3. - c377, c380, cz122, en 12165 - cw617n, cw612n, cuzn40pb2 & cuzn39pb2. C 675, cz 114, cz 115, en 12165 CW 721 r & CW 722r. c3533, cz132 Also Stainless Steel 304 Stainless Steel 316 available.

ADDEESS:**BRASS NEUTRAL LINKS PRIVATE LIMITED**

Plot 12
GIDC Ind estate
Udyognagar
Jamnagar 361005 Gujarat
India

CONTACTS:

PHONE : 91-22-43449300/27

FAX : 91-22-22834046

EMAIL : info@brass-neutral-links.com

[CONTACT US](#) | [BACK TO HOME PAGE](#)

KEYWORDS:

Brass spacers, Threaded spacers, Brass threaded spacers, UNC threaded hex spacers, hexagonal spacers, round spacers, clearance spacers, Male Female spacers, Metric threaded spacers, UNC threaded Brass spacers, electronic hardware, PCB spacers, round body hex body spacers, M 4 , m3.5 , M5, 4-40, 6-32,8-32 UNC spacers,Brass spacers manufacturers India, Brass threaded spacers manufacturers suppliers jamnagar india,.